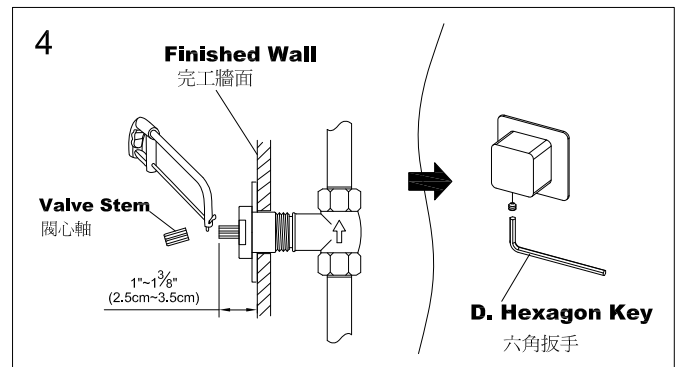
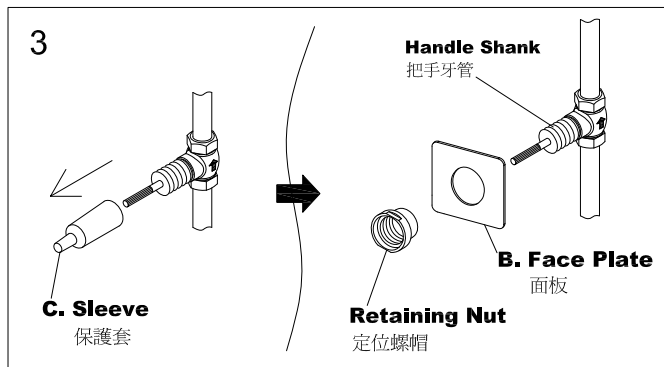
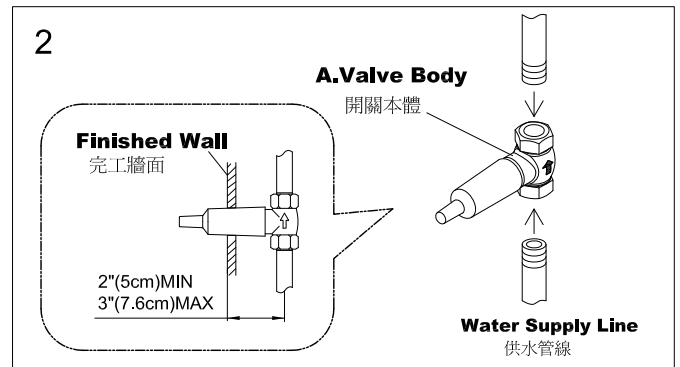
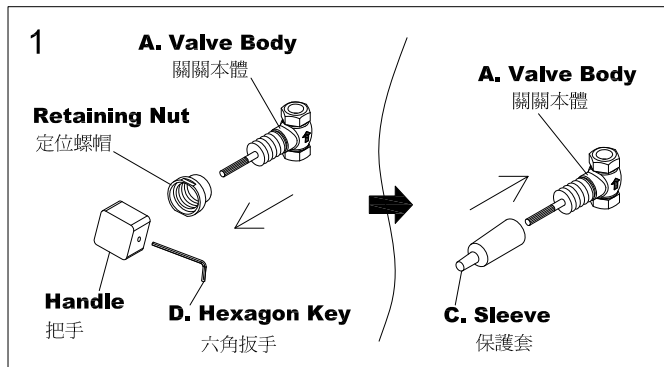


# INSTALLATION INSTRUCTIONS

## Water Valve

### 嵌牆式開關安裝說明



#### CAUTION : Risk Of Product Damage.

注意：為增加產品使用壽命，請依說明清潔供水管路。

When finished installation, turn the valve on and run for 1 minute before using.

完成安裝後，需在使用前先把供水開關全開排水持續一分鐘。

NOTE: Disassemble the **Handle** and **Retaining Nut** from the Valve Body First. Using the **Sleeve** provided to protect the external threads while installation if required. (Fig.1)

注意：安裝前，先將把手與定位螺帽從本體鬆開。如須使用隨附塑膠保護套保護陶瓷中心栓，必須在安裝程序前先套好。

1. Pay attention to minimum 2" (5cm) and maximum 3" (7.6cm) dimensions for mounting information as shown. (Fig.2)

牆壁內本體與牆面的距離須保持在最小2"(5cm)到最大3"(7.6cm)之間，此為安裝時的必要條件。

2. Install **Valve Body** and water supply Line. (Fig.2)

安裝閥體和供水管線。

3. Carefully take off **Sleeve** from **Valve Body**. Locate the **Face-Plate** onto the **Handle Shanks** and fasten the **Retaining nuts** to attach the **Face-Plate** in place. (Fig.3)

組裝前，小心取下塑膠保護套。將把手面板套入牙管，並用定位螺帽鎖緊牙管，使把手面板與牆壁完全貼合固定。

4. Cut overlong **Valve Stem** to certain length (1/4" ~ 5/8" or 0.6cm ~ 1.6cm) as fig.4 shown. Press Handles over the **Valve Stem** to proper position and tighten setscrew. (Fig.4)

如圖4，依需要可切除過長的閥心軸。然後將把手壓入閥心軸，到適當的位置，並鎖緊下面的埋頭螺絲將把手固定。

## FIXING CONTENTS

### 組配件內容

